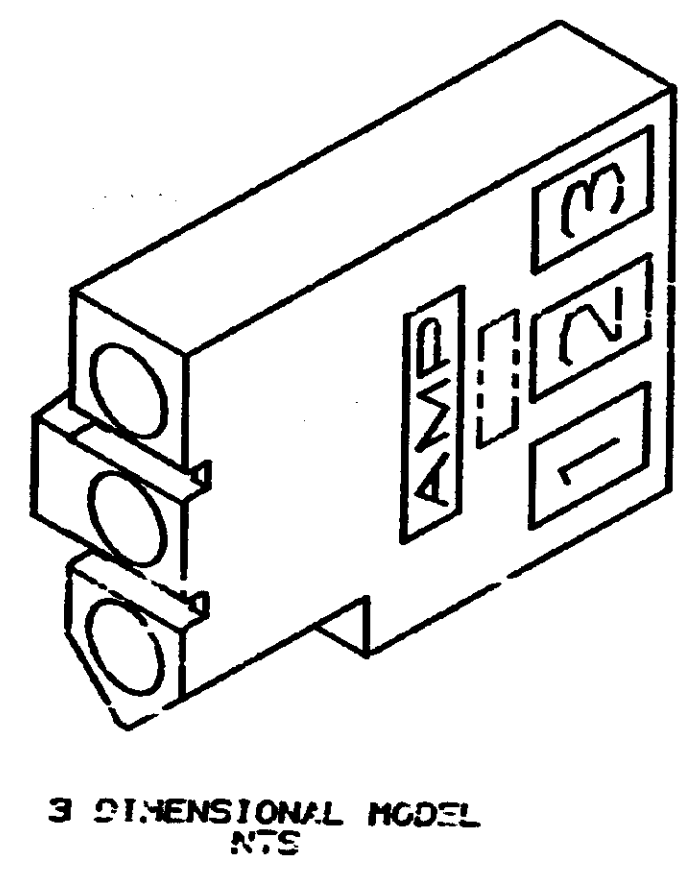
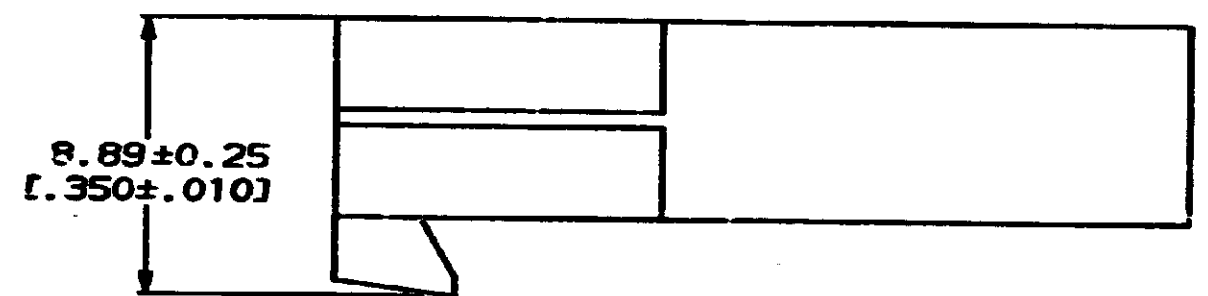
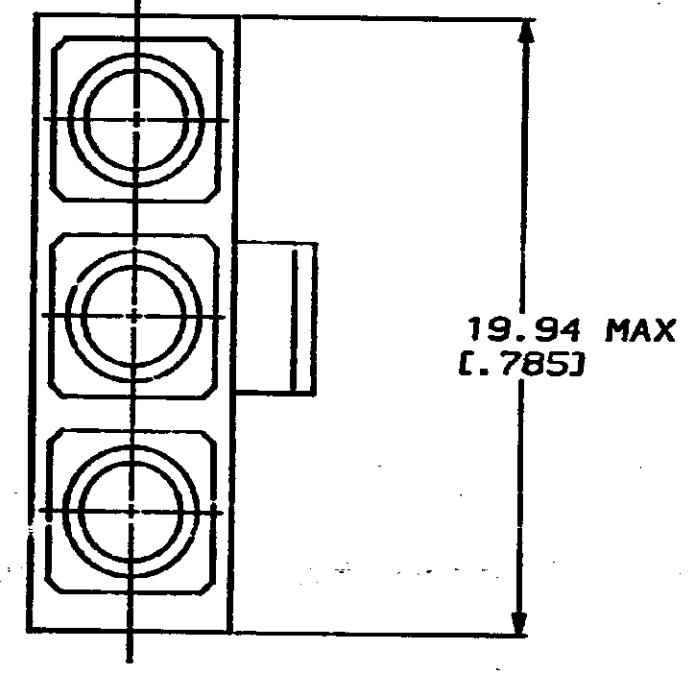
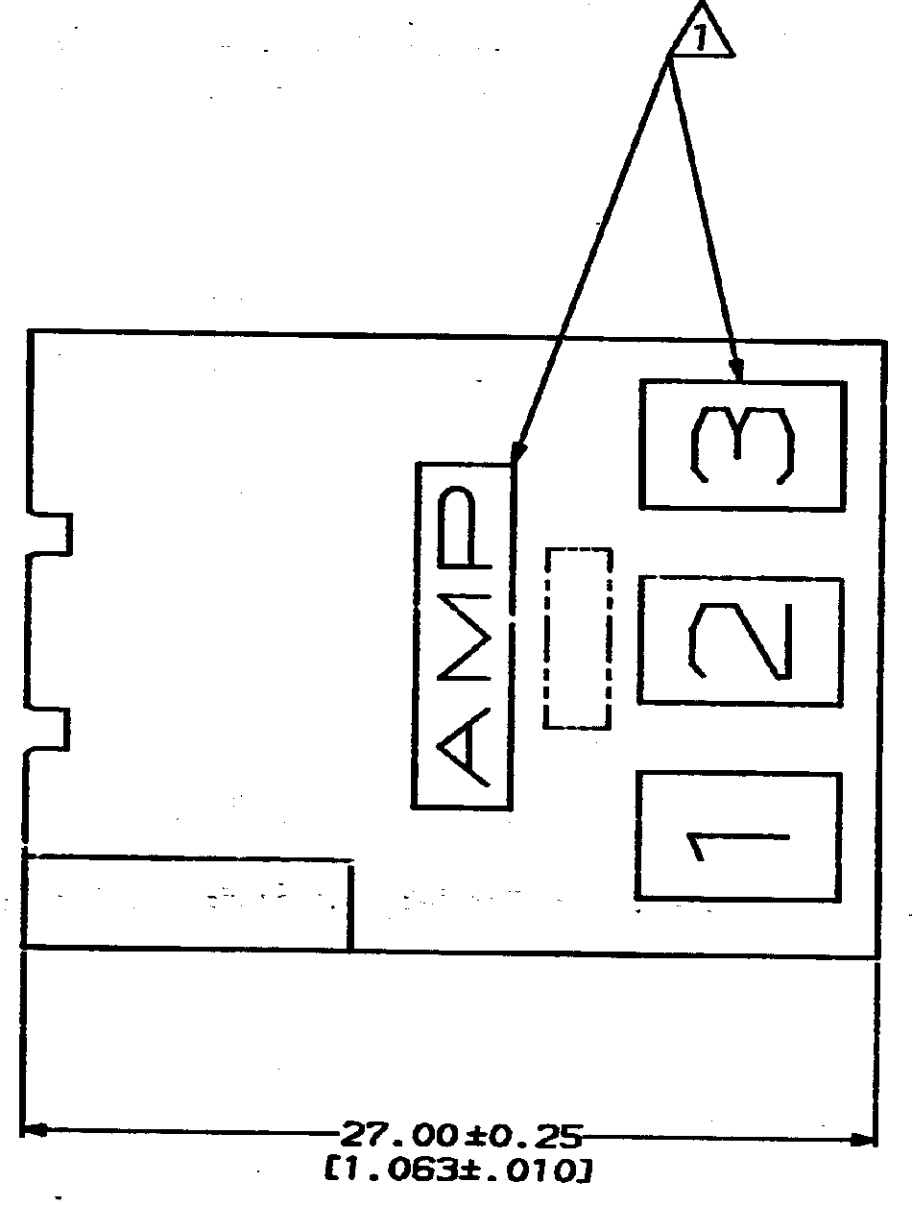
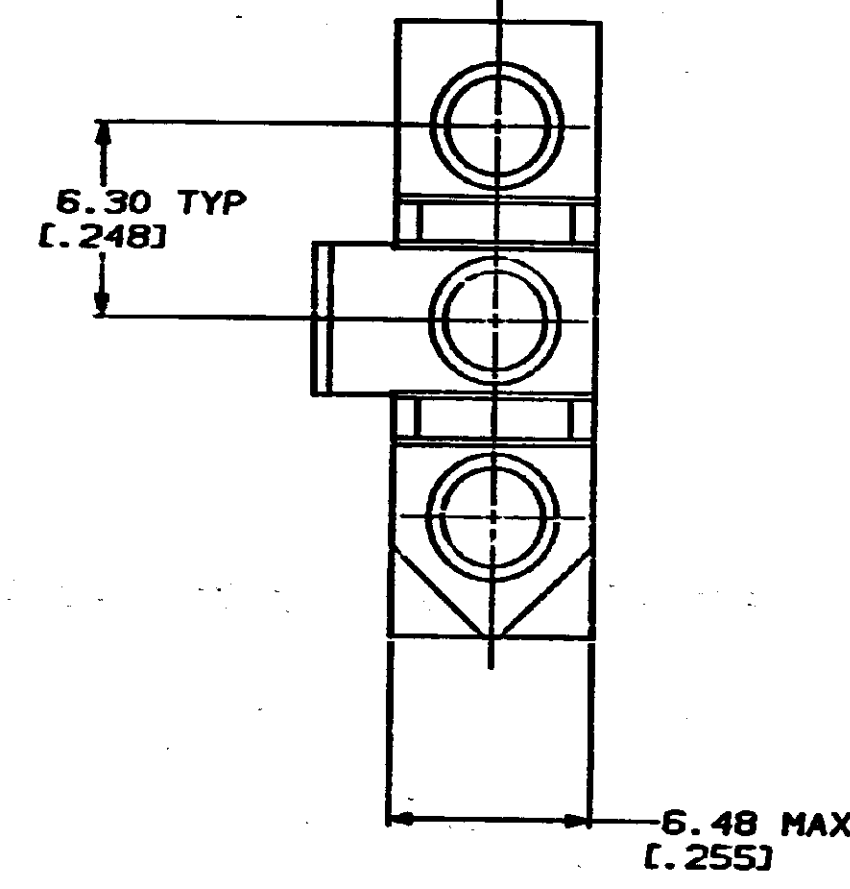


REVISIONS				DATE	APPD
NO	BY	DESCRIPTION			
1	D	REV PER ECN CH-3673	3-12-90	MS	BS



△ AMP LOGO AND CIRCUIT NUMBERS LOCATED IN THIS AREA, EITHER SIDE.  
 2. DIMENSIONS IN BRACKETS ARE IN INCHES.

**METRIC**

DO NOT SCALE PRINT. UNLESS SPECIFIED DIMENSIONS IN INCHES TOLERANCES ON + 2 PLC DEC ± 3 PLC DEC ± 0.12 ± 0.50 ANGLES ± ORTHERIAL		DR E. WHITAKER 11-5-90 CHK R. SILING 11-5-90 APPD R. CARSON 11-6-90	770785-1 PART NO
NYLON, UL 94V-2 NATURAL	PRODUCT SPEC	NAME AMP Incorporated Harrisburg, PA 17105-3608	RECPTACLE, POSITIVE LOCK, 3 CIRCUIT, COMMERCIAL PIN AND SOCKET
APPLICATION SPEC	WEIGHT	SIZE D 00779 SCALE 5:1	DRAWING NO 770785 SHEET 1 OF 1

CUSTOMER DRAWING